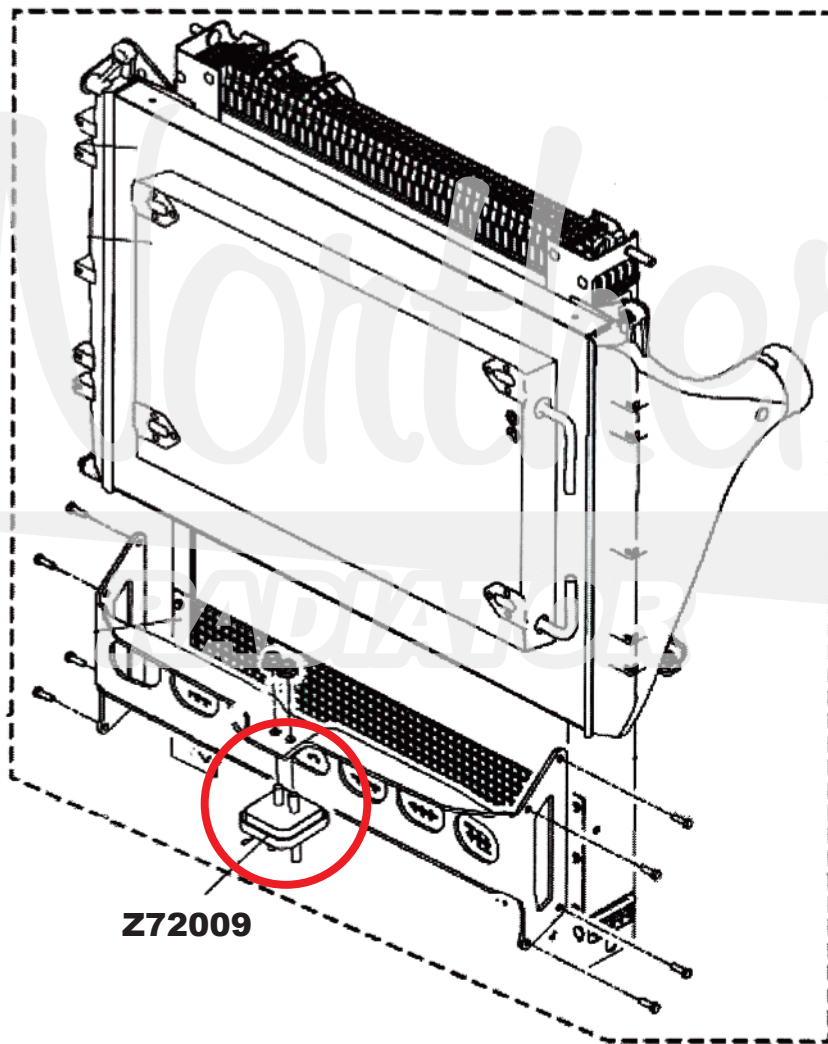


MOUNTING LOCATION ISOLATOR Z72009

Typical mounting configuration and location. Isolator is used on multiple Freightliner applications and cooling modules in a similar fashion.



Z72009